

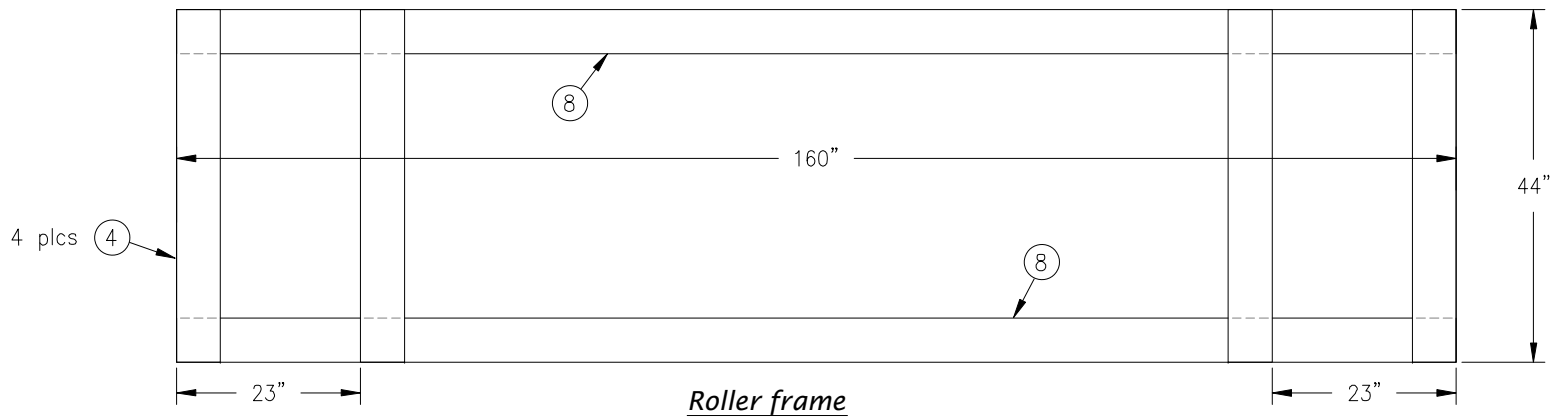
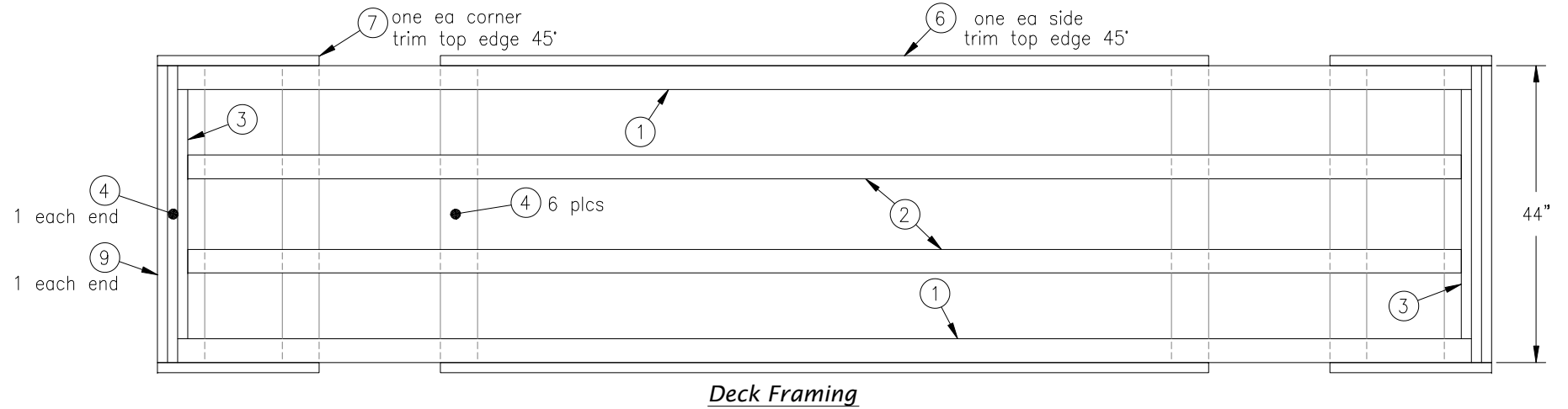
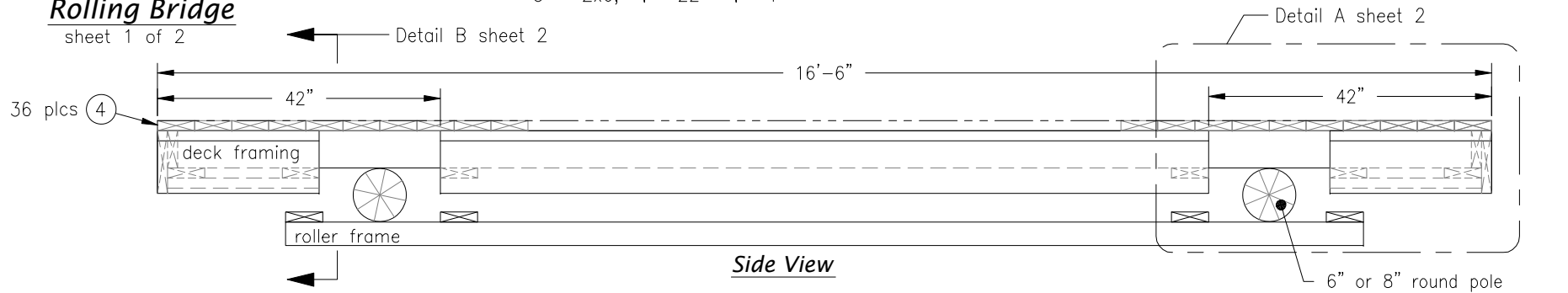


Rolling Bridge

sheet 1 of 2

Material List

1 - 4x6, LG: 192" qty: 2	6 - 2x10, LG: 114" qty: 2
2 - 4x6, ↓ 189" ↓ 2	7 - 2x10, ↓ 24" ↓ 4
3 - 2x6, ↓ 37" ↓ 2	8 - 4x6, ↓ 160" ↓ 2
4 - 2x6, ↓ 44" ↓ 50	9 - 2x10, ↓ 44" ↓ 2
5 - 2x6, ↓ 22" ↓ 4	



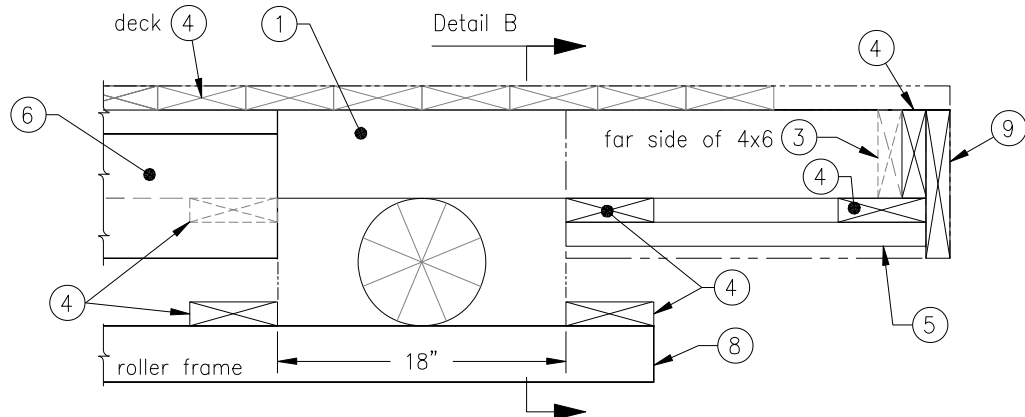


Rolling Bridge

sheet 2 of 2

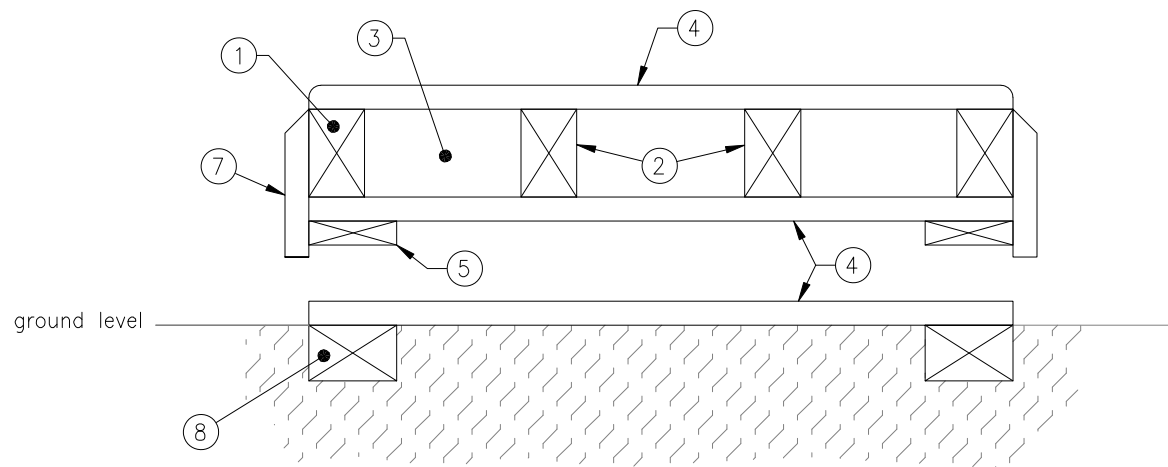
Material List

1 - 4x6, LG: 192" qty: 2	6 - 2x10, LG: 114" qty: 2
2 - 4x6, 189" 2	7 - 2x10, 24" 4
3 - 2x6, 37" 2	8 - 4x6, 160" 2
4 - 2x6, 44" 50	9 - 2x10, 44" 2
5 - 2x6, 22" 4	



Detail A

2x10 part 7 not shown for clarity



Detail B